



**VOX**

**LINERIO  
SLAT PANELS**

# INTRODUCTION

WALLS WITH DEPTH 07

ENDLESS POSSIBILITIES 08

# LINERIO

S-LINE 10

M-LINE 24

L-LINE 38

LINERIO. WALL THAT MATTERS 53

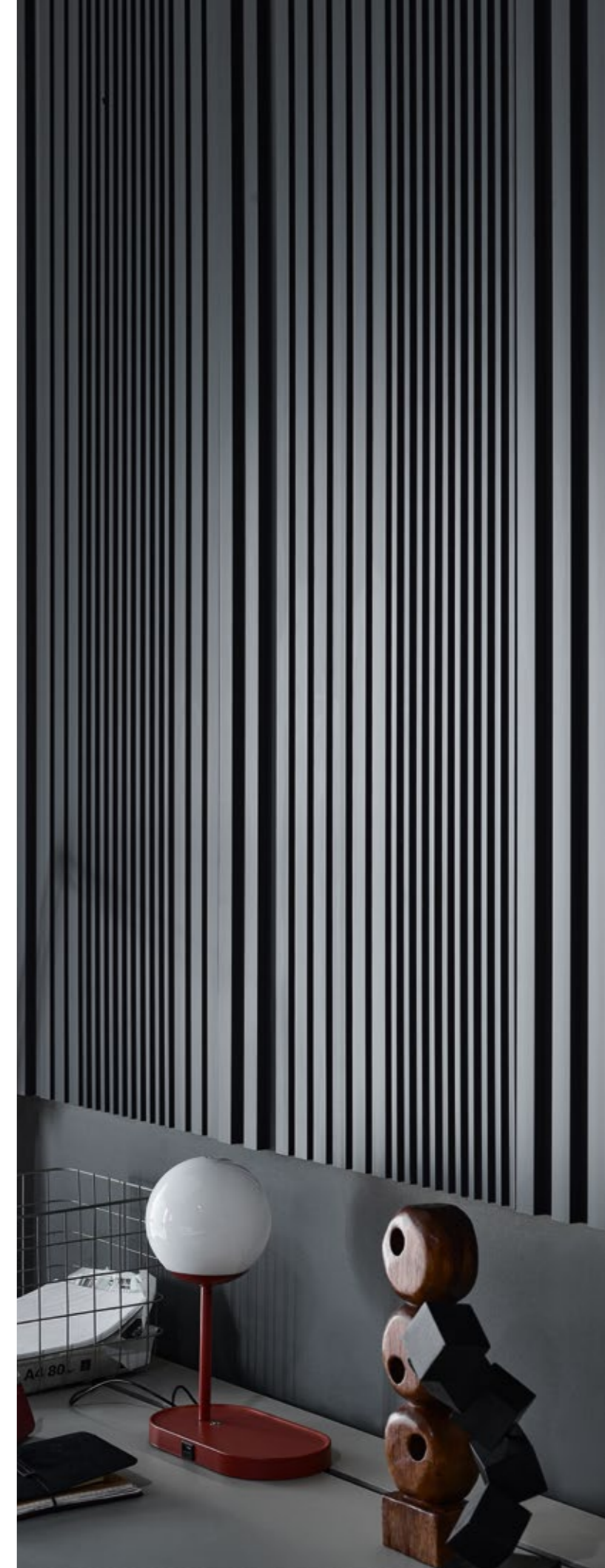
PANELS FEATURE 54

INSTALLATION 56

PANELS DIMENSION 58

LIST OF PANELS 60

VOXBOX 62





FREEDOM BEGINS  
**at home**

At VOX we believe that a real freedom begins at home, and the interior is more about your individual needs and lifestyle rather than a specific style. That is why we inspire, advise and provide comprehensive interior design solutions - matched collections of furniture, doors, floors and decorative walls.





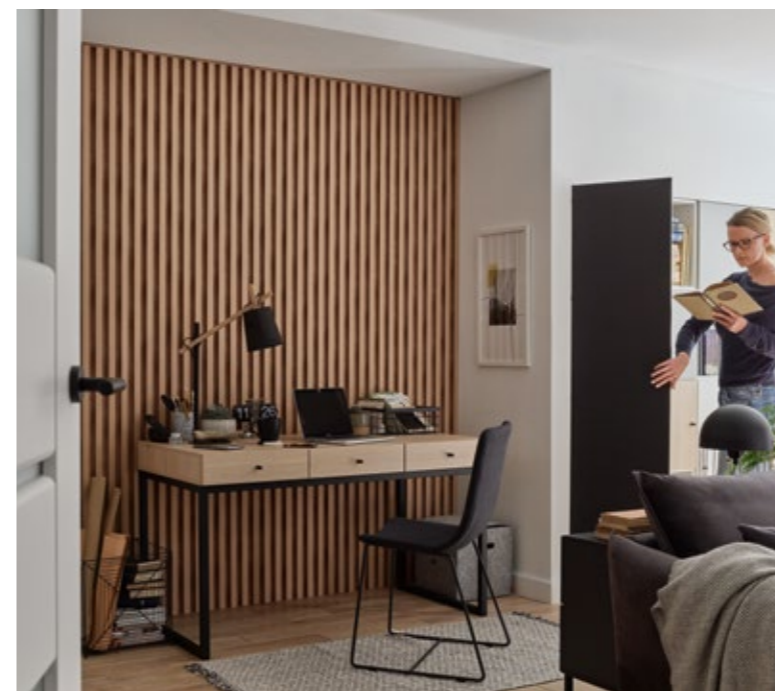
## LINERIO PANELS. WALLS WITH DEPTH

Each element of the interior matters. They all affect its atmosphere and the way we feel about it. That is why, when we finish walls, we need to decide what role they will play – the quiet hero in the background or the crowning glory of the interior. Irrespective of your choice, the Linerio panels will help you to achieve your goal. They will give the interior a unique character and help to designate different zones. The final effect depends on which of the three available lines you choose – S, M, or L, each with different width and depth of the slats and in different colours. Pick the shade from Natural, Natural Black, Mocca, Chocolate, White, Grey, Black or Anthracite – they will all fit perfectly both in a private home and in a hotel or restaurant.

# ENDLESS POSSIBILITIES



Linerio panels offer real creative freedom. You can put them on the wall in the living room or use them to decorate the bedroom ceiling. However, they'll work equally well in more demanding spaces, such as the hallway or bathroom. Choose your favourite colour and thickness, then mount them as you wish: vertically, horizontally or diagonally. They will catch the eye in any configuration.





## LINERIO S-LINE

The narrow slats will provide a subtle accent in the interior. They are ideal for smaller rooms, as they make the ceiling look higher while highlighting the selected area. The shades range from refined white to chocolate brown. Choose the one you like the best and use it as the theme according to which you will select the furniture and accessories.



# S-LINE



WHITE

GREY

ANTHRACITE

BLACK

Dimensions | 2650/3050x122x12 mm

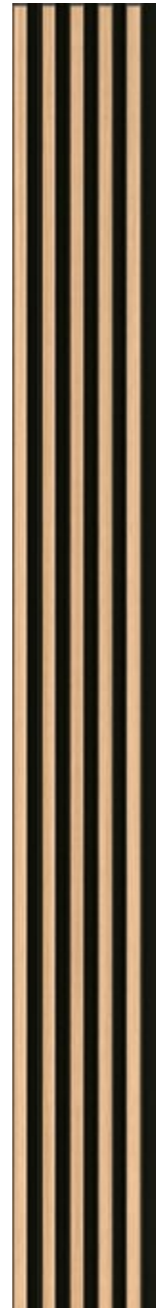
# S-LINE



MOCCA



NATURAL



NATURAL BLACK

Dimensions | 2650/3050x122x12 mm





Design a three-dimensional feature to your liking. You can create an elegant dado in the hallway that will catch your guests' eye right at the entrance. All you need to do is cut the panels to the preferred length and finish them with a dedicated rail.



A wall with a natural pattern will help build a relaxing atmosphere in the bedroom. If you like, add a texture of choice – such a backdrop will bring out both smooth metal and soft upholstery.



# BETTER ACOUSTICS



With Linerio panels, you can make an effective barrier between your private space and the noise from outside. The high-quality material will eliminate reverberation and echo in the room thanks to its spatial structure. It will help soundproof your bedroom or home office. A slat wall will also make a perfect addition to an entertainment corner.

LINERIO S-LINE MOCCA





## PRACTICALLY FUNCTIONAL

Linerio panels not only look beautiful, but also are durable and resistant to damage. You can mount them around a door frame to create a cohesive interior design in a contemporary style. The lightweight slats are easy to install and keep clean afterwards.





## LINERIO M-LINE

The medium-width slats will fit in any interior if you match their shade to the rest of the furnishing. Wooden-like slats will go well with soft colours inspired by nature. On the other hand, the monochrome Linerio slats look spectacular with intense colours.



# M-LINE



NATURAL BLACK



NATURAL



MOCCA



CHOCOLATE

Dimensions | 2650/3050x122x12 mm

# M-LINE



BLACK



ANTHRACITE



GREY



WHITE

Dimensions | 2650/3050x122x12 mm





Cover the entire wall or maybe just a section?  
Linerio will make it easy for you to creatively design your home space.



The slats will create a cosy backdrop for daily rituals. Their geometric form will enrich the design of the dining room, which, after all, is supposed to make the members of the household and their loved ones comfortable.



LINERIO M-LINE MOCCA



Linerio will bring out the beauty and character of your furniture. To achieve a harmonious effect, choose a shade of the panels to go with the palette that you already have in your interior.



## RESISTANT WALL

The slats make great dirt-resistant walls – greasy cosmetics, wet pet hair or dirty hands of a toddler on them are definitely not something to worry about. They will last years with no special care. Wiping them with a moist cloth is all they need.





## LINERIO L-LINE

The deep slats are the statement decoration. They provide a distinctive focal point that works best on large walls in spacious interiors. The light version will help you lighten up and harmonise your interior, while the dark slats will bring an intimate, more relaxing atmosphere.



# L-LINE



GREY



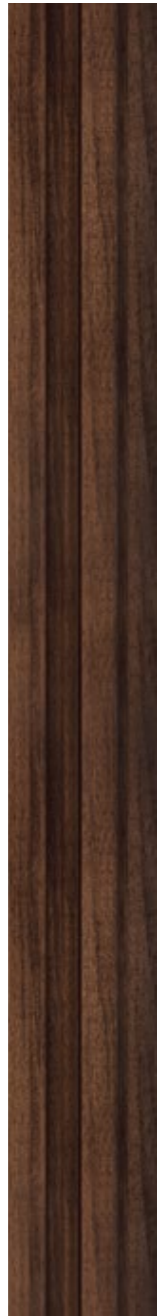
WHITE



ANTHRACITE

Dimensions | 2650/3050x122x21 mm

# L-LINE



CHOCOLATE



MOCCA



NATURAL

Dimensions | 2650/3050x122x21 mm





Linerio is an excellent choice for an office or study. The rhythmic wall decor will stimulate your creativity and help you organise your thoughts.





The durable slats are the one decoration piece you need to make your space stand out.  
Use them in the hallway to create a spectacular-looking entrance.



## WATERPROOF

Linerio panels make an interesting decoration for the bathroom. If you want a small space to appear bigger, choose slats that reach all the way to the ceiling. Narrower slats will make a striking accent in a small bathroom, while wider ones will balance out the design of an elegant home spa.

The waterproof material can be in constant contact with moisture.





## PANELS MIXING

Looking for an original interior decoration? You've come to the right place! Linerio panels in white, grey and anthracite offer endless possibilities of creating unique rhythmic designs. By combining slats of different widths and depths, you can achieve an interesting textured effect on the wall or ceiling.





# LINERIO. WALL THAT MATTERS

## MATERIAL

Linerio owes its unique properties to the material from which it is made. For the production of panels, we use polystyrene, which is covered with a print made by hot-stamping. Polystyrene is a modern material that is 100% recyclable. It is light, durable and easy to clean. Thanks to this, Linerio can also be installed in more demanding places, such as a hall, a work corner or a kitchen.

## AESTHETICS

Linerio panels make the interior more welcoming and cosy. They make it possible to visually separate and highlight a zone within your space. Properly installed, they improve the proportions of a room, making the ceiling look higher or the room less spacious. With the help of Linerio, you can make your favourite furniture and objects stand out by providing a harmonious or contrasting backdrop. The panels come in timeless decors and a variety of sizes, so that you can match them to any interior design.

## INSTALLATION

The installation of Linerio panels is quick and easy. They are mounted with glue and can be easily cut to the desired size with a saw or jigsaw.



# PANEL FEATURES



Light weight



Waterproof



Improve soundproofing



Quick installation



Easy to keep clean



Recyclable



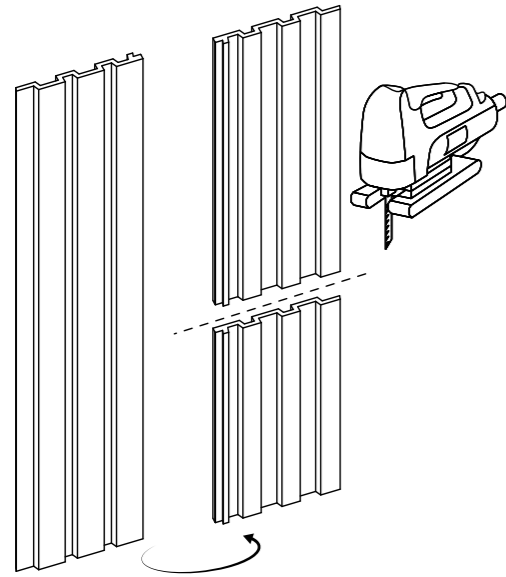
2-year warranty on the product



# EASY INSTALLATION

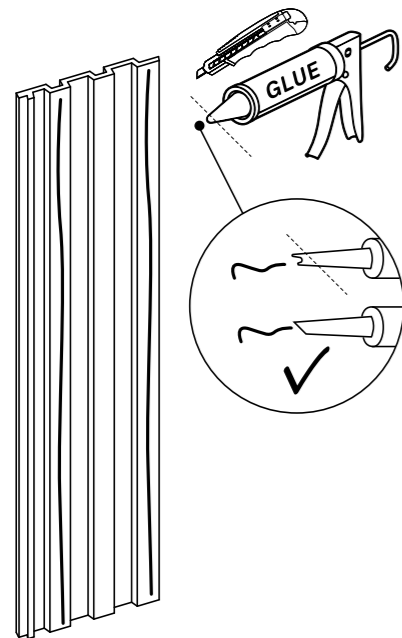
Remarkable effect with little effort? With Linerio panels, it is possible. Installation is easy and intuitive, just follow a few simple steps to enjoy a beautiful wall.

## STEP 1



Panels can be mounted vertically, horizontally and diagonally. If you want to trim them, use a handsaw, jigsaw, or table saw.

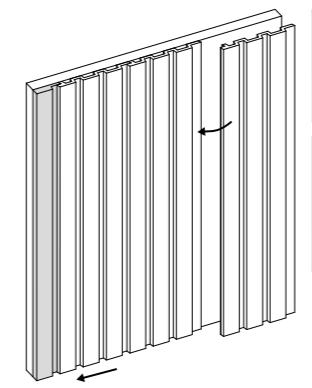
## STEP 2



Apply VOX adhesive on the back of the panel in the shape of two vertical stripes, then attach the panel to the wall.

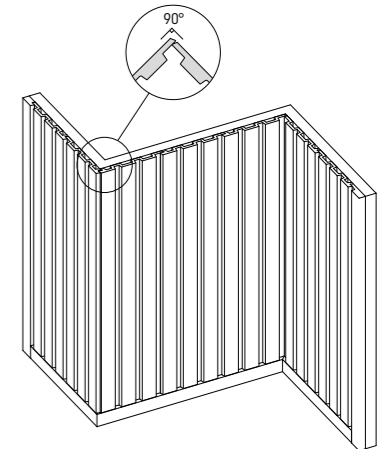


## STEP 3



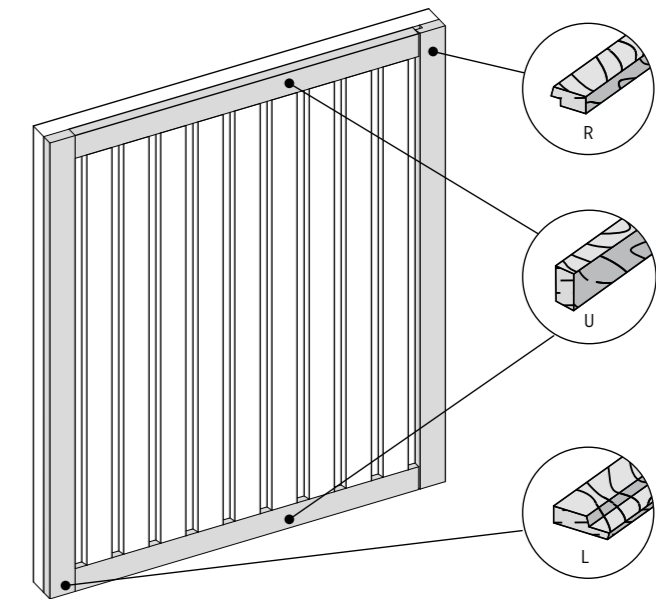
Always lay the panels starting from the left and then moving right and starting from the bottom, moving up.

## STEP 4



Remember to connect the panels carefully in the outer corner. All you have to do is slot them in one another at 90 degrees.

## FINISHING TRIMS

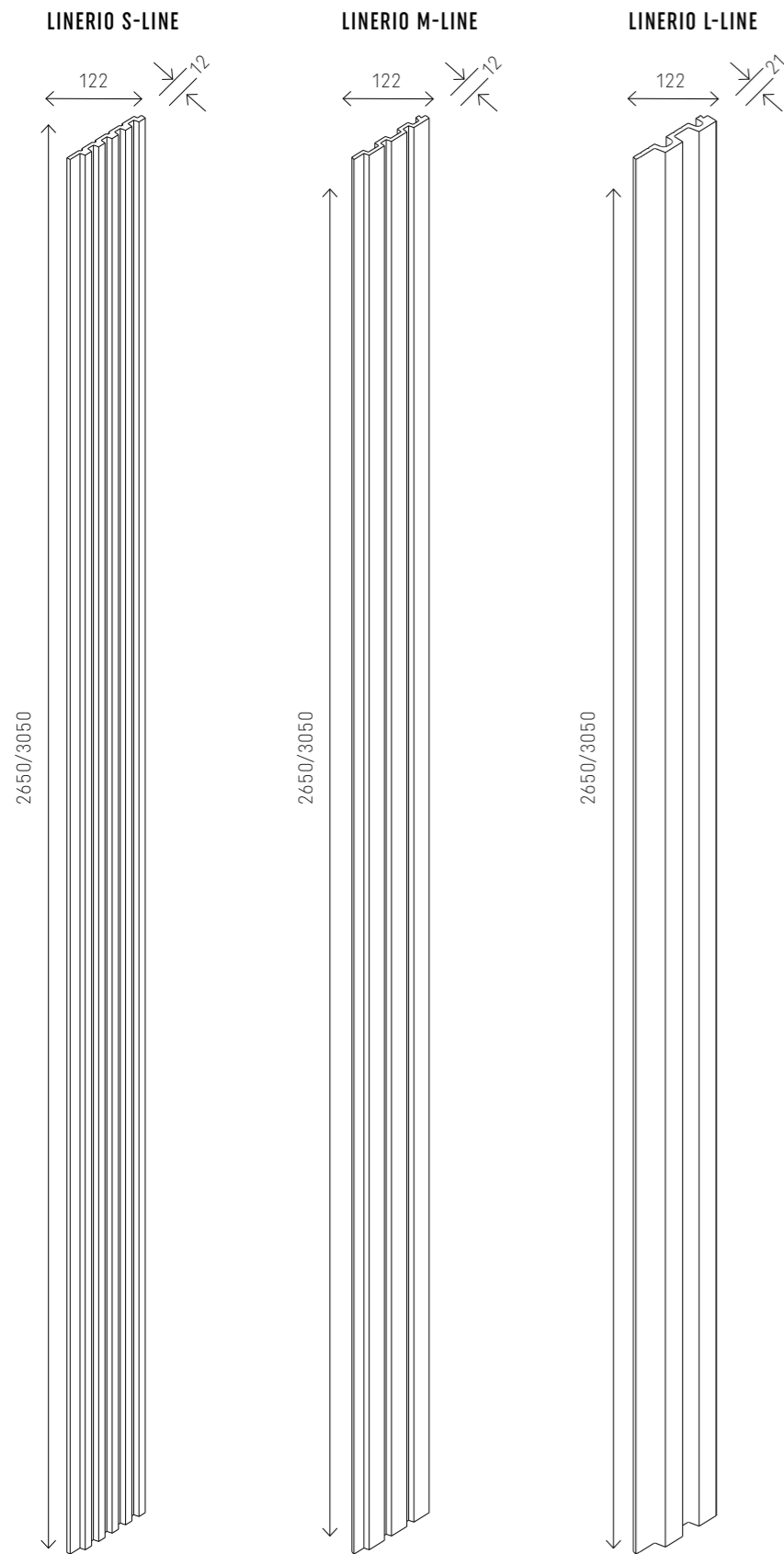


To finish the wall, you can use dedicated trims, which, like the panels, are mounted with adhesive. For each of the panel types, you can choose the right and left trims, while the universal trim will allow you to finish the top and bottom of the wall.



Watch video

# PANELS DIMENSION



# FINISHING TRIMS

**S-LINE LEFT TRIM**  
 2650/3050x28x12



**S-LINE RIGHT TRIM**  
 2650/3050x35x12



**M-LINE LEFT TRIM**  
 2650/3050x42x12



**M-LINE RIGHT TRIM**  
 2650/3050x26x12



**L-LINE LEFT TRIM**  
 2650/3050x61x21



**L-LINE RIGHT TRIM**  
 2650/3050x32x21



**UNIVERSAL TRIM U**  
 S/M-Line 2650/3050x25x12  
 L-Line 2650/3050x25x12



# LIST OF PANELS

## LINERIO S-LINE

2650/3050x122x12 mm



NATURAL BLACK

NATURAL

MOCCA

## UNIVERSAL TRIM U

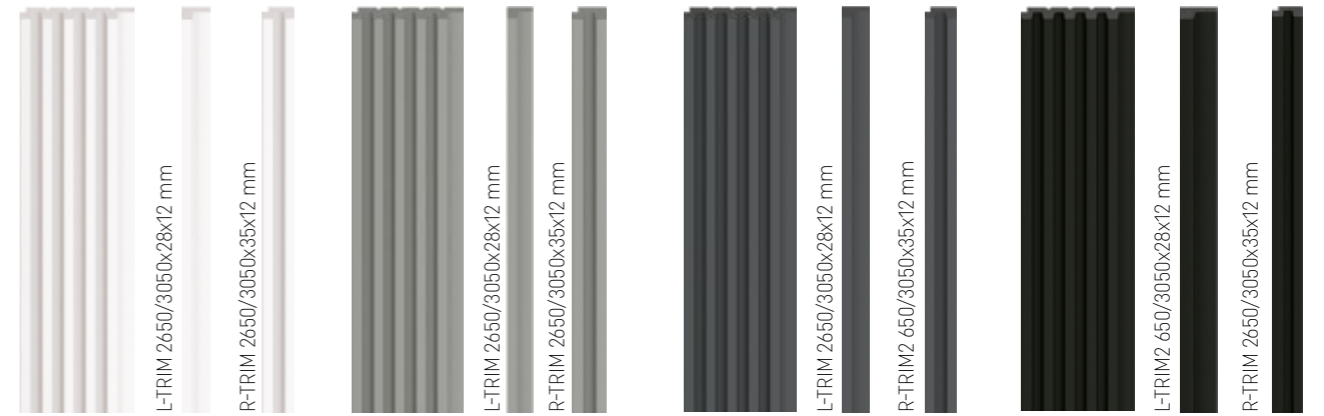
S/M-Line 2650/3050x25x12 mm

L-Line 2650/3050x30x21 mm



## LINERIO S-LINE

2650/3050x122x12 mm



WHITE

GREY

ANTHRACITE

BLACK

## LINERIO M-LINE

2650/3050x122x12 mm



NATURAL BLACK

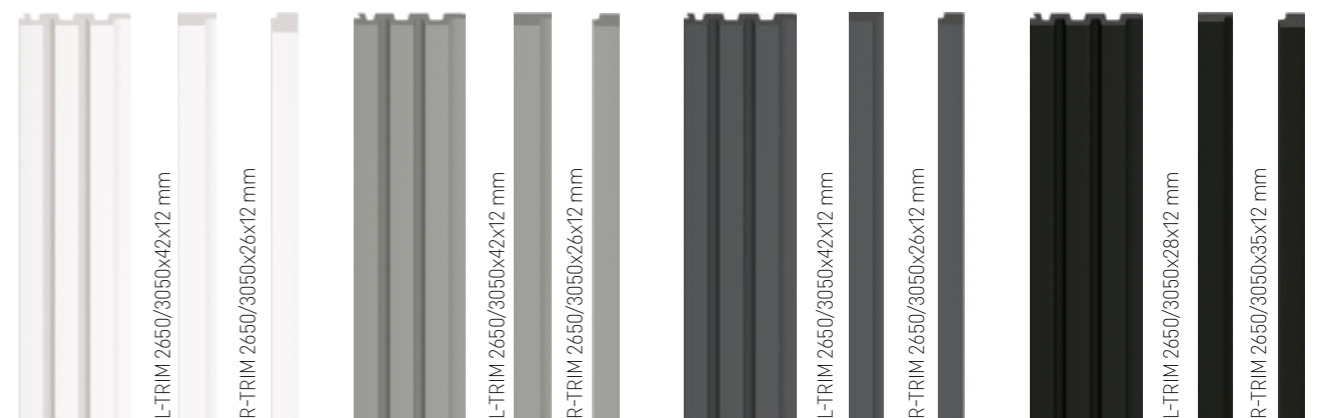
NATURAL

MOCCA

CHOCOLATE

## LINERIO M-LINE

2650/3050x122x12 mm



WHITE

GREY

ANTHRACITE

BLACK

## LINERIO L-LINE

2650/3050x122x21 mm



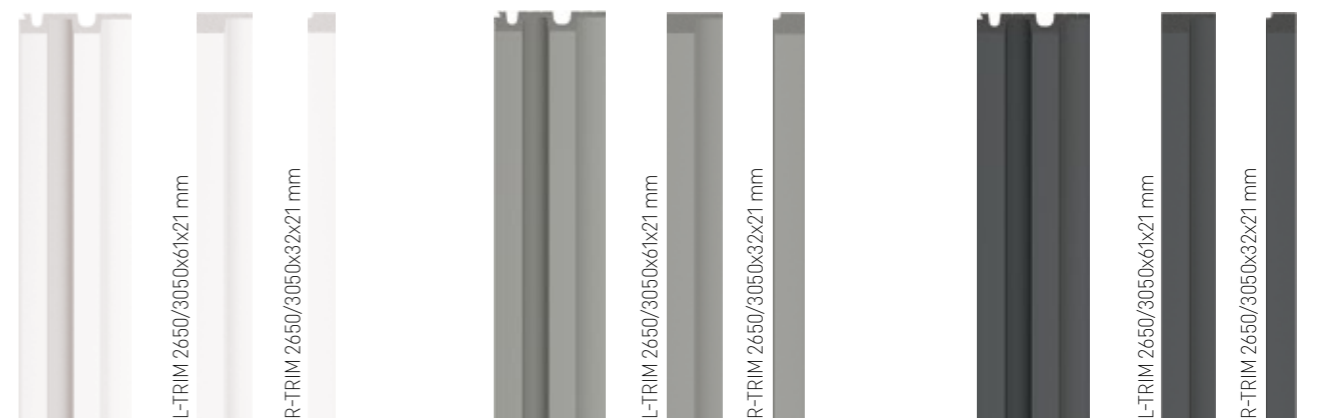
NATURAL

MOCCA

CHOCOLATE

## LINERIO L-LINE

2650/3050x122x21 mm



WHITE

GREY

ANTHRACITE

# CERTIFICATIONS



The manufacturer reserves the right to make changes to the colours, dimensions, and functions of the presented products. This catalogue is published for reference purposes only. The catalogue presents sample designs from the product range. Some of the items presented in the layout photos are only used as decoration and are not for sale. Copying and distribution of any materials contained in the catalogue without the written consent of the publisher is prohibited. The colours in the catalogue may differ from reality. All data contained in the catalogue are valid in the month of printing – May 2025.



VOX INTERIORS AND EXTERIORS SOLUTIONS PRIVATE LIMITED  
1202, 100 Road, HAL 2nd Stage, Indiranagar, Domlur, Bengaluru -560008, India  
Ph No: +91 9528500500 / + 91 8043741810 WA No: 6366843663  
E: [customercare@voxindia.co](mailto:customercare@voxindia.co) [voxindia.co](http://voxindia.co)



ISO 9001:2015  
ISO 14001:2015  
ISO 45001:2018